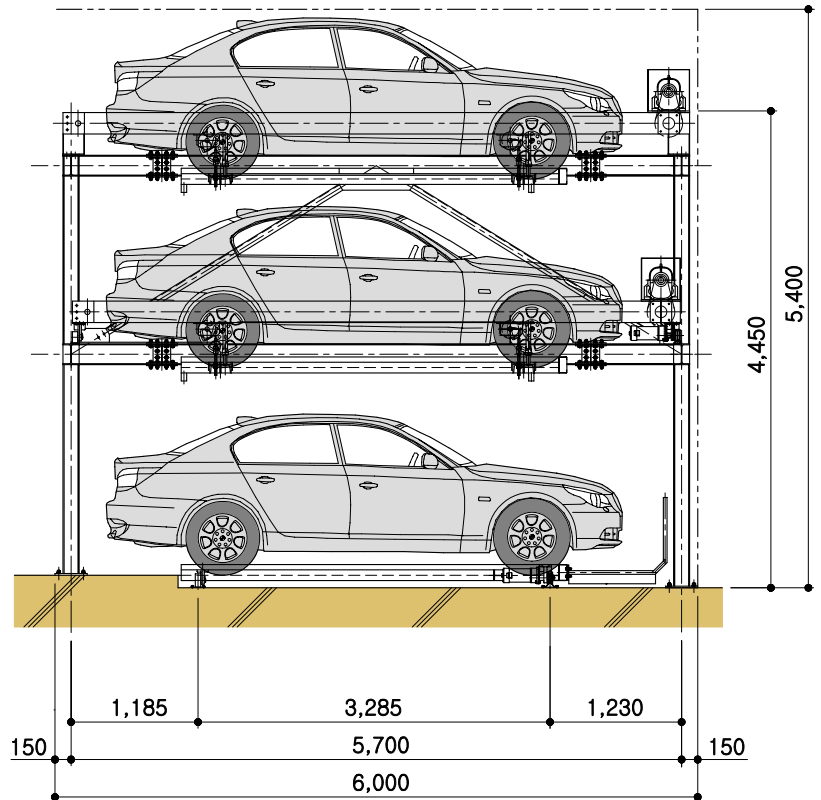
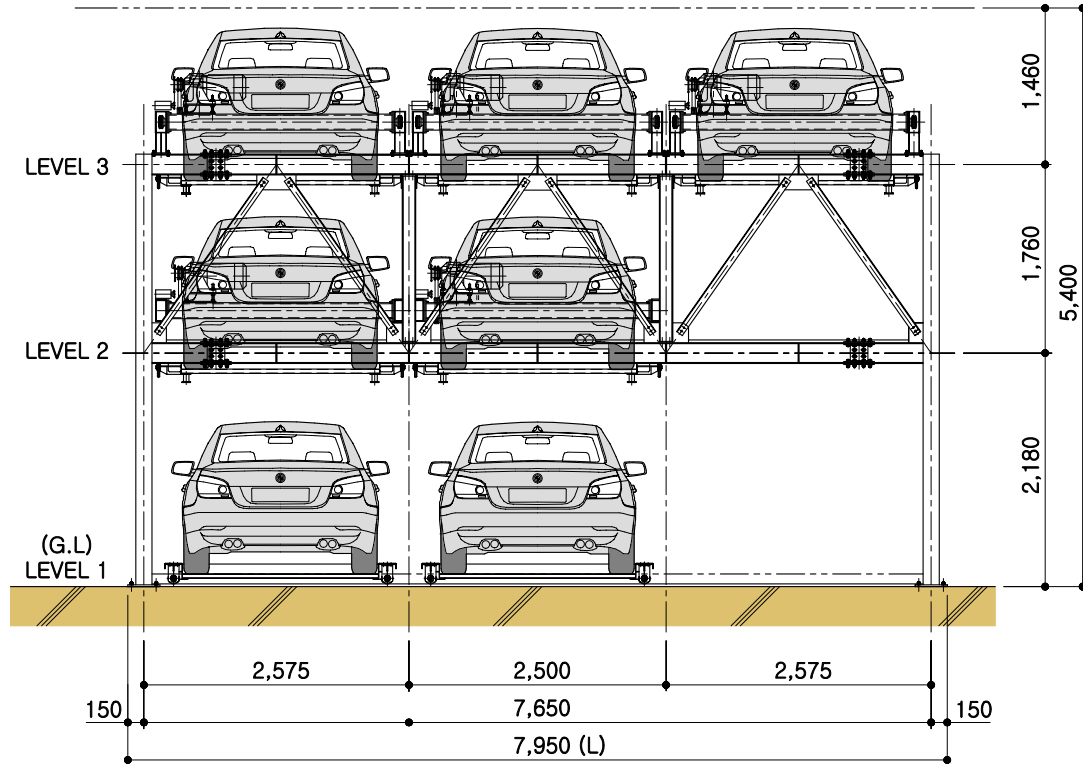




# SLIDE STACKER SYSTEM

## ◆ SLIDE STACKER – TRIPLE DECK



### SPECIFICATIONS

SYSTEM TYPE		SLIDE STACKER
VEHICLE DIMENSIONS (SEDAN)	LENGTH	5,050 mm
	WIDTH	2,200 mm
	HEIGHT	1,600 mm
	WEIGHT	2,000 Kg
LIFT	SPEED	4 m/min
	MOTOR	2.2 kW x 1/90
SHIFT	SPEED	8 m/min
	MOTOR	0.4 kW x 1/75
POWER SOURCE		415V x 4P, 5 KVA

## ◆ Standard Dimensions

TRIPLE DECK	BAYS	4	7	10	13	16	19	22	25
		WIDTH (mm)	5,450	7,950	10,600	13,100	15,600	18,250	20,750